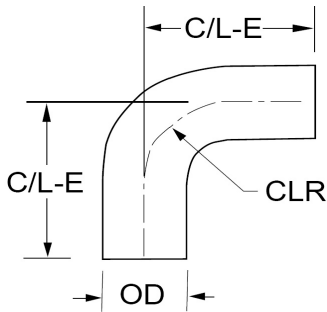


Elbows

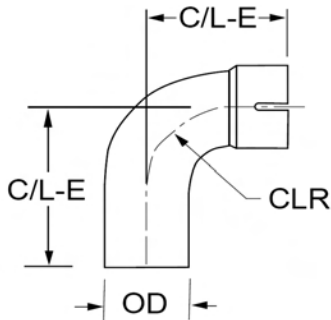


Standard 90 degree Elbows



Chrome	Aluminized	Dia.	CLR	C/L-E
-	431-200 PE	2.0"	4.0"	6.0"
-	-	2.50"	4.0"	6.5"
-	431-250-12 PE	2.50"	4.0"	12.0"
-	431-300 PE	3.0"	6.0"	8.0"
-	431-350 PE	3.50"	7.0"	9.0"
401-400 PE	431-400 PE	4.0"	8.0"	11.0"
-	431-410 PE	4.0"	6.0"	10.0"
401-416 PE	431-416 PE	4.0"	8.0"	16.0"
-	431-42922 PE	4.0"	8.0"	30" ID, 22.5" OD
401-508PE	431-508 PE	5.0"	8.0"	12.0"
401-512PE	431-512 PE	5.0"	10.0"	14.5"
401-515PE	431-515 PE	5.0"	8.0"	15.0"
401-518 PE	431-518 PE	5.0"	8.0"	18.0"
401-617 PE	431-617 PE	6.0"	10.0"	17.0"

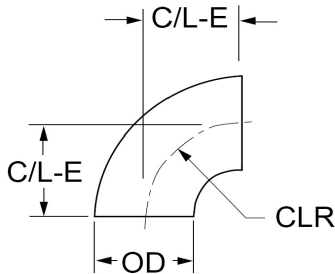
Standard 90 degree Elbows



Chrome	Aluminized	Dia.	CLR	C/L-E
-	431-200	2.0"	4.0"	6.0"
-	-	2.50"	4.0"	6.5"
-	431-250-10	2.50"	4.0"	10.0"
401-300	431-300	3.0"	6.0"	8.0"
401-350	431-350	3.50"	7.0"	9.0"
401-400	431-400	4.0"	8.0"	11.0"
401-410	431-410	4.0"	6.0"	10.0"
401-416	431-416	4.0"	8.0"	16.0"
-	431-42922	4.0"	8.0"	30" ID, 22.5" OD
401-508	431-508	5.0"	8.0"	12.0"
401-512	431-512	5.0"	10.0"	14.5"
401-515	431-515	5.0"	8.0"	15.0"
401-518	431-518	5.0"	8.0"	18.0"
401-617	431-617	6.0"	10.0"	17.0"

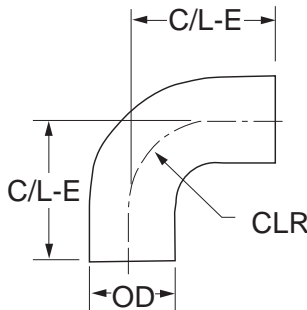
Elbows

Short Radius Elbows



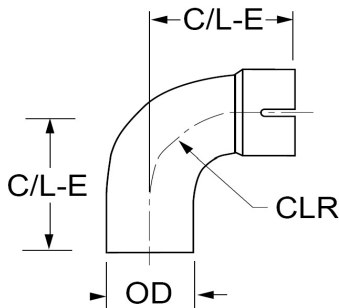
Aluminized	Dia.	CLR	C/L-E	Angle
433-200	2.0"	2.0"	2.0"	90
433-250	2.5"	2.50"	2.50"	90
433-300	3.0"	3.0"	3.0"	90
433-350	3.50"	3.50"	3.50"	90
433-400	4.0"	4.0"	4.0"	90
433-500	5.0"	5.5"	5.5"	90
433-600	6.0"	6.0"	6.0"	90
433-700	7.0"	9.0"	9.0"	90
433-745	7.0"	9.0"	3.75"	45
433-800	8.0"	9.875"	9.875"	90
433-845	8.0"	9.875"	4.09"	45
433-1090	10.0"	11.0"	11.0"	90
433-1045	10.0"	11.0"	4.56"	45
433-1200	12.0"	18.0"	18.0"	90
433-1245	12.0"	18.0"	7.45"	45

Short Radius 90 Degree Elbows



Chrome	Aluminized	Dia.	CLR	C/L-E
-	434-202 PE	2.0"	2.0"	4.0"
-	434-252 PE	2.50"	2.50"	5.0"
-	434-302 PE	3.0"	3.0"	5.0"
-	434-352 PE	3.5"	3.5"	5.5"
-	434-402 PE	4.0"	4.0"	6.0"
-	434-410 PE	4.0"	4.0"	10.0"
-	434-446 PE	4.0"	4.0"	10.0" ID, 8.0" OD
404-503PE	434-503 PE	5.0"	5.5"	7.5"
-	434-509 PE	5.0"	5.5"	10.0"
-	434-515 PE	5.0"	5.5"	15.0"
-	434-518 PE	5.0"	5.5"	18.0"
-	434-548 PE	5.0"	5.5"	13.5" ID, 9.5" OD
-	434-604 PE	6.0"	6.0"	10.0"

Expanded And Slotted

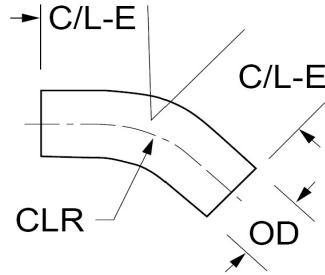


Chrome	Aluminized	Dia.	CLR	C/L-E
-	434-202	2.0"	2.0"	4.0"
-	434-252	2.50"	2.50"	5.0"
-	434-302	3.0"	3.0"	5.0"
-	434-352	3.5"	3.5"	5.5"
-	434-402	4.0"	4.0"	6.0"
404-410	434-410	4.0"	4.0"	10.0"
-	434-446	4.0"	4.0"	10.0" ID, 8.0" OD
404-503	434-503	5.0"	5.5"	7.5"
404-509	434-509	5.0"	5.5"	10.0"
-	434-515	5.0"	5.5"	15.0"
-	434-518	5.0"	5.5"	18.0"
-	434-548	5.0"	5.5"	13.5" ID, 9.5" OD
404-604	434-604	6.0"	6.0"	10.0"

Elbows

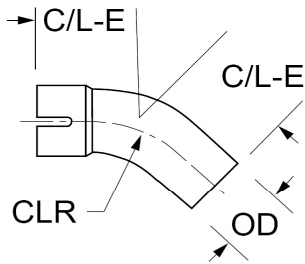


Standard 45 Degree Elbows



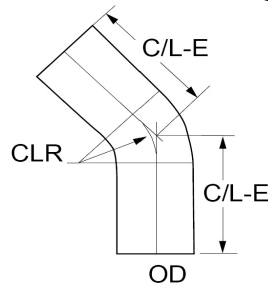
Chrome	Aluminized	Dia.	CLR	C/L-E
	432-245 PE	2.0"	4.0"	6.0"
	432-2545 PE	2.50"	4.0"	6.50"
	432-345 PE	3.0"	6.0"	6.0"
	432-3545 PE	3.50"	7.0"	6.0"
	432-445 PE	4.0"	8.0"	6.0"
402-445-8 PE	432-445-8 PE	4.0"	6.0"	8.0"
	432-5458 PE	5.0"	8.0"	6.3"
402-5458-14 PE	432-5458-14 PE	5.0"	8.0"	14.0"
	432-645 PE	6.0"	10.0"	10.0"
402-645-15 PE	432-645-15 PE	6.0"	10.0"	15.0"

Expanded & Slotted



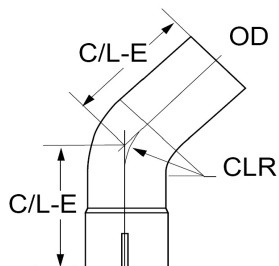
Chrome	Aluminized	Dia.	CLR	C/L-E
	432-245	2.0"	4.0"	6.0"
	432-2545	2.50"	4.0"	6.50"
402-345	432-345	3.0"	6.0"	6.0"
402-3545	432-3545	3.50"	7.0"	6.0"
402-445	432-445	4.0"	8.0"	6.0"
	432-445-8	4.0"	6.0"	8.0"
402-445-12	432-445-12	4.0"	6.0"	12.0"
402-5458	432-5458	5.0"	8.0"	6.3"
402-5458-14	432-5458-14	5.0"	8.0"	14.0"
402-645	432-645	6.0"	10.0"	10.0"
	432-645-15	6.0"	10.0"	15.0"

Short Radius Long Leg 45 Degree Elbows



Aluminized	Dia.	CLR	C/L-E
-434-245-5 PE	2"	2"	5"
-434-2545-6 PE	2.5"	2.5"	6"
-434-345-7 PE	3"	3"	7"
-434-3545-8 PE	3.5"	3.5"	8"
-434-445-10 PE	4"	4.25"	10"
-434-545-12 PE	5"	5.5"	12"
-434-645-13 PE	6"	6"	13"

Expanded & Slotted

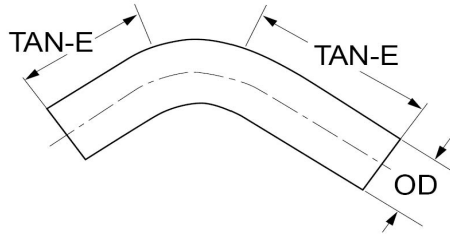


Chrome	Aluminized	Dia.	CLR	C/L-E
	434-245-5	2"	2"	5"
	434-2545-6	2.5"	2.5"	6"
	434-345-7	3"	3"	7"
	434-3545-8	3.5"	3.5"	8"
404-445-10	434-445-10	4"	4.25"	10"
404-545-12	434-545-12	5"	5.5"	12"
404-645-13	434-645-13	6"	6"	13"

Elbows

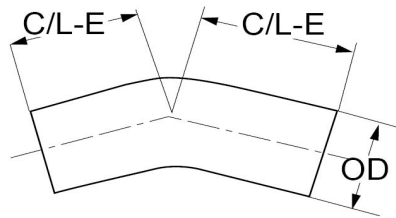


Standard 68 Degree Elbows



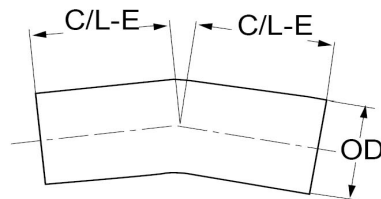
Chrome	Aluminized	Dia.	C/L-E
401-468 PE	431-468 PE	4"	3" & 6"
401-568 PE	431-568 PE	5"	3" & 6"
401-668 PE	431-668 PE	6"	3" & 6"
401-5668 PE	431-5668 PE	6" TO 5"	4" & 5"

Standard 30 Degree Elbows



Aluminized	Dia.	CLR	C/L-E
432-3030PE	3"	6"	6"
432-3530PE	3.5"	6"	7"
432-4030PE	4"	6"	8"
432-5030PE	5"	6"	8"
432-6030PE	6"	8"	10"

Standard 15 Degree Elbows



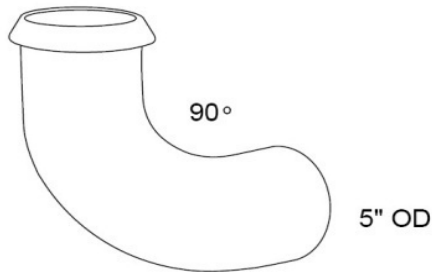
Aluminized	Dia.	CLR	C/L-E
432-3030PE	3"	6"	6"
432-3530PE	3.5"	6"	7"
432-4030PE	4"	6"	8"
432-5030PE	5"	6"	8"
432-6030PE	6"	8"	10"

Elbows

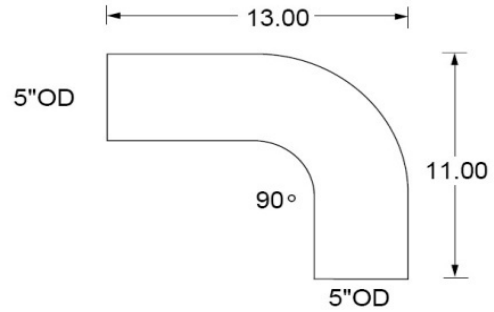


Freightliner Elbows

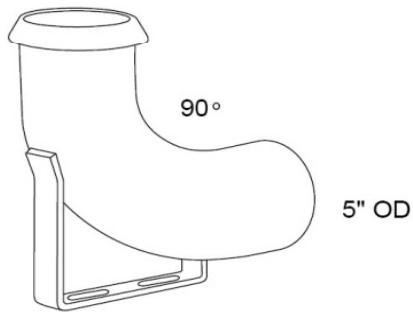
Interchange Number: FL04-9831-002	
<u>Aluminized</u>	<u>Chrome</u>
434-545	404-545



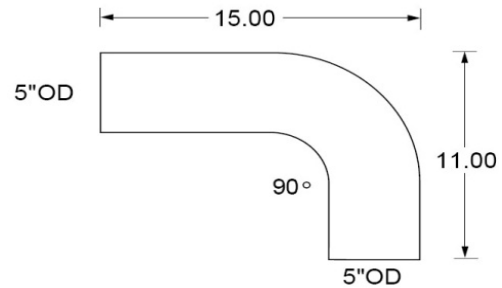
Interchange Number: FL04-9586-13	
<u>Aluminized</u>	<u>Chrome</u>
434-4313 PE	404-4313 PE



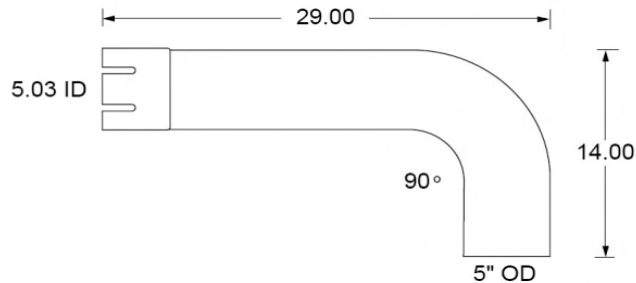
Interchange Number: FL04-9829-000	
<u>Aluminized</u>	<u>Chrome</u>
434-544	404-544



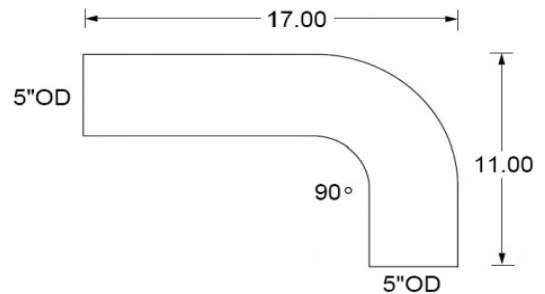
Interchange Number: FL04-9586-15	
<u>Aluminized</u>	<u>Chrome</u>
434-4315 PE	404-4315 PE



Interchange Number: FL104-9833-6	
<u>Aluminized</u>	<u>Chrome</u>
434-1022 E	404-1022 E



Interchange Number: FL04-9586-17	
<u>Aluminized</u>	<u>Chrome</u>
434-4317 PE	404-4317 PE

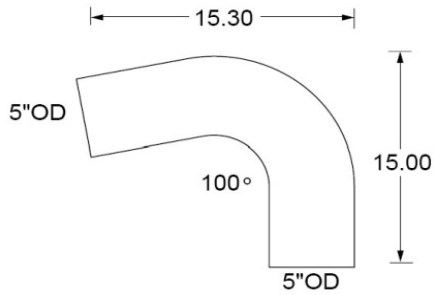


Elbows



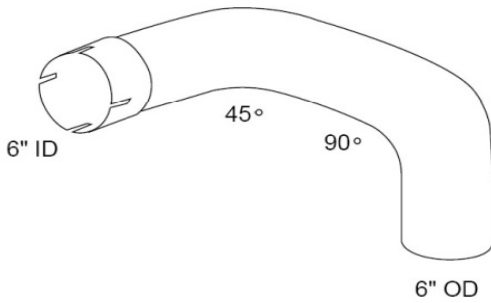
Freightliner Elbows

Interchange Number: FL04-12099	
Aluminized	Chrome
434-5100 PE	404-5100 PE

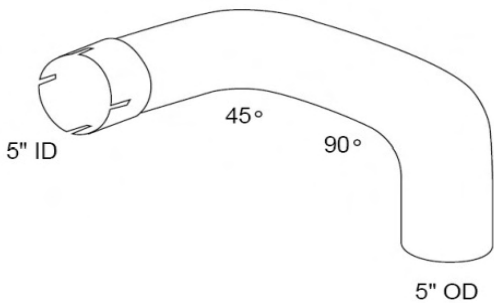


Kenworth Elbows

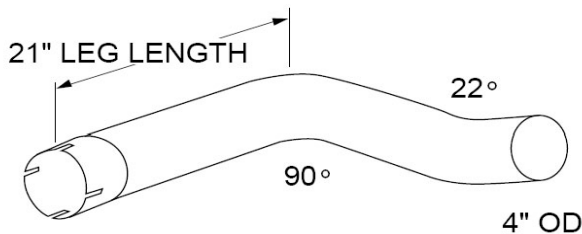
Interchange Number:	
Aluminized	Chrome
434-45545-6 L or R	404-45545-6 L or R



Interchange Number: K180-14764 L or R	
Aluminized	Chrome
434-45545 L or R	404-45545 L or R

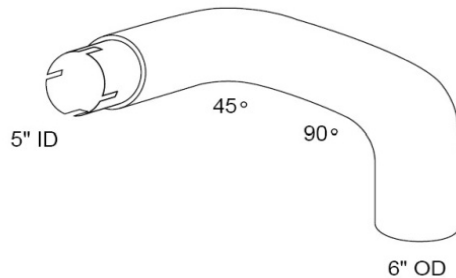


Interchange Number: K180-10742 L or R	
Aluminized	Chrome
431-5822 L or R	401-5822 L or R

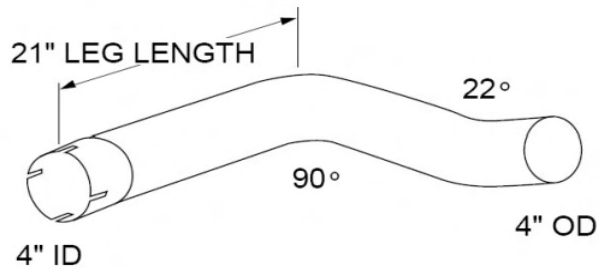


Interchange Number:	
Aluminized	Chrome
434-45545-6 /5 L or R	404-45545-6 /5 L or R

6" O.D. with 6 to 5 reduction on 45 end.

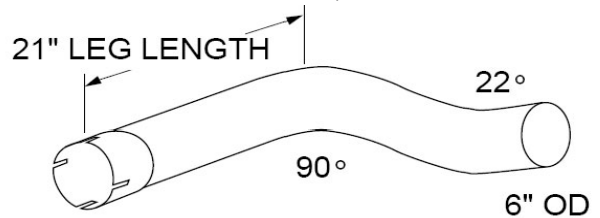


Interchange Number: K180-3977 L or R	
Aluminized	Chrome
431-4822 L or R	401-4822 L or R



Interchange Number:	
Aluminized	Chrome
431-6822 L or R	401-6822 L or R

Same as 1-5822 except 6" diameter.

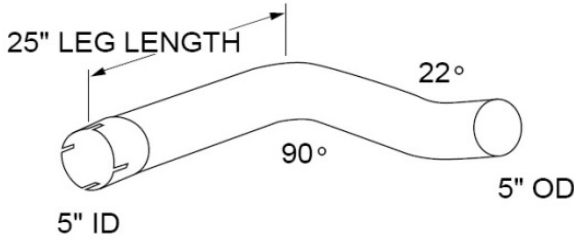


Elbows

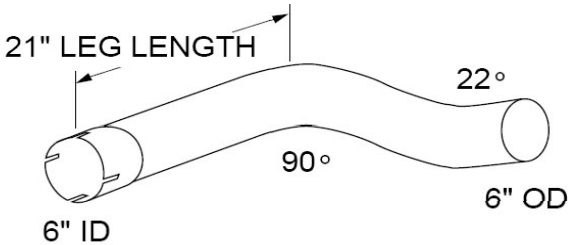


Kenworth Elbows

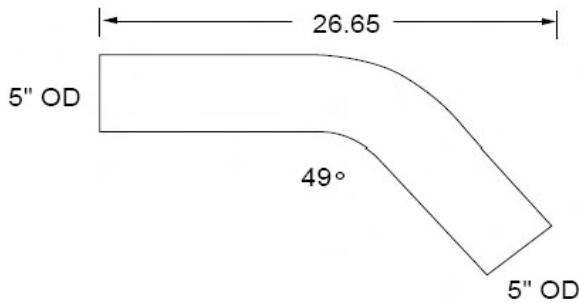
Interchange Number: K180-12953 L or R	
Aluminized	Chrome
431-5823 L or R	401-5823 L or R



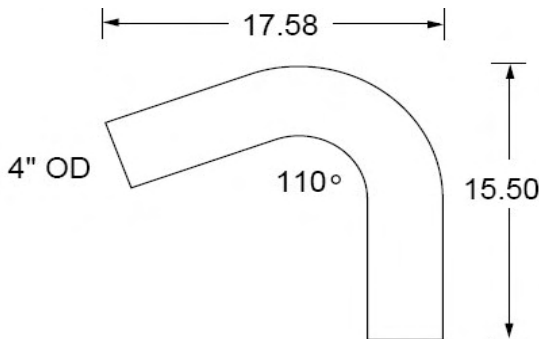
Interchange Number:	
Aluminized	Chrome
431-6823 L or R	401-6823 L or R



Interchange Number: K180-8049	
Aluminized	Chrome
432-5508 PE	402-5508 PE

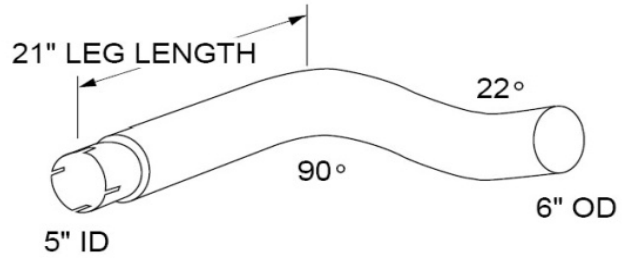


Interchange Number: K180-6036	
Aluminized	Chrome
434-4110 PE	404-4110 PE

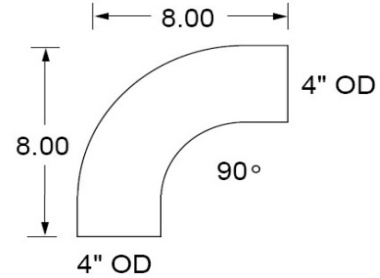


Interchange Number:	
Aluminized	Chrome
431-56822 L or R	401-56822 L or R

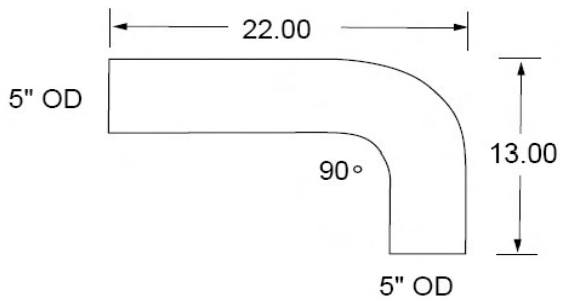
Same as 1-6822 except reduced to 5" I.D. on 90 end.



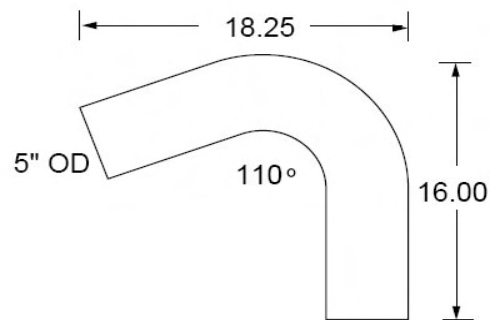
Interchange Number:	
Aluminized	Chrome
434-402 PE	404-402 PE



Interchange Number: K180-11497	
Aluminized	Chrome
434-548 M PE	404-548 M PE



Interchange Number: K180-6037	
Aluminized	Chrome
434-5110 PE	404-5110 PE

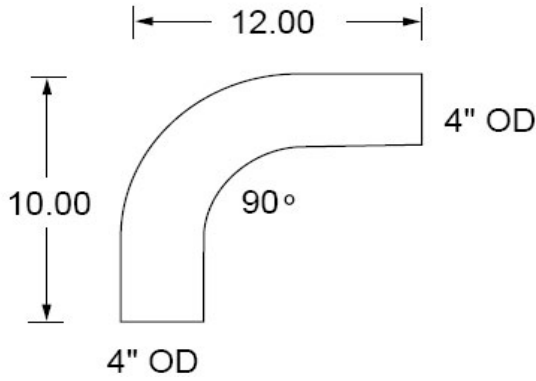


Elbows

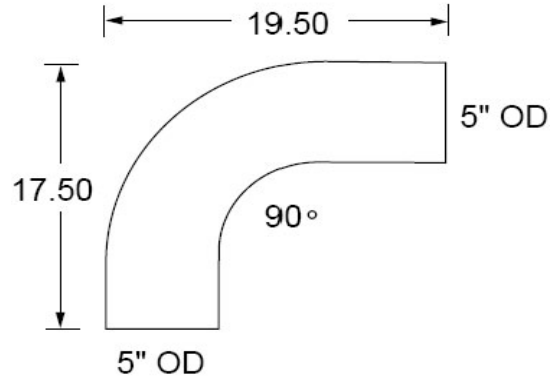


Kenworth Elbows

Interchange Number: K180-11496	
Aluminized	Chrome
434-446 PE	404-446 PE

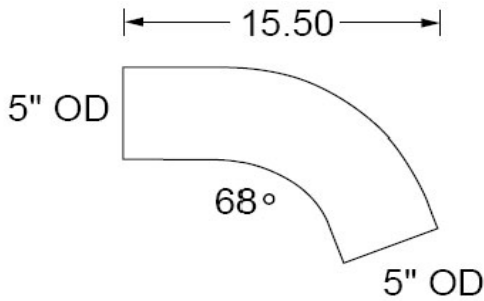


Interchange Number: K180-4855	
Aluminized	Chrome
431-5877 PE	401-5877 PE

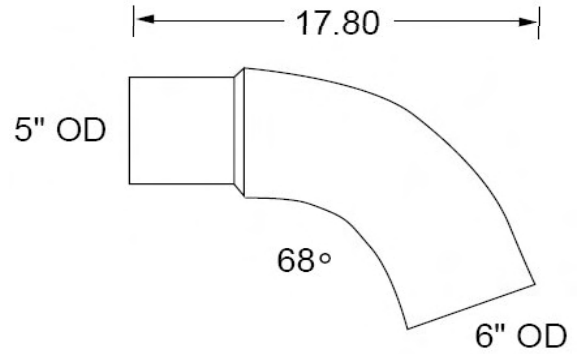


Peterbilt Elbows

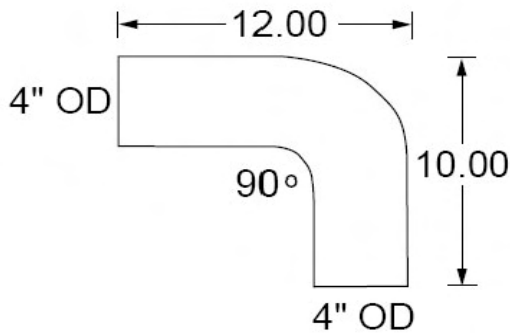
Interchange Number: 14-1726	
Aluminized	Chrome
431-568 PE	401-568 PE



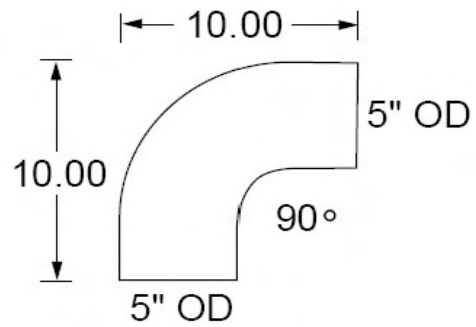
Interchange Number:	
Aluminized	Chrome
431-5668 PE	401-5668 PE



Interchange Number: 14-08527	
Aluminized	Chrome
434-446 PE	404-446 PE



Interchange Number: 14-08525	
Aluminized	Chrome
434-503 PE	404-503 PE

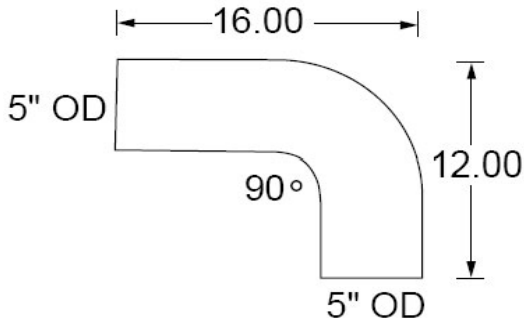


Elbows & Y Pipes



Peterbilt Elbows

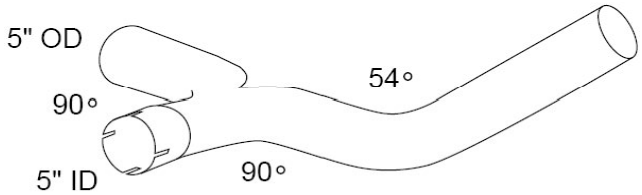
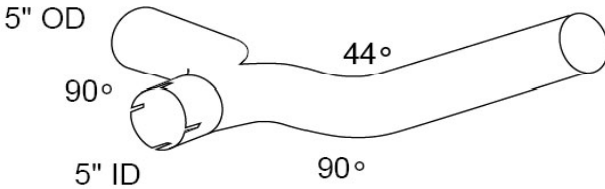
Interchange Number: 14-08526 Revision D	
Aluminized	Chrome
434-548 PE	404-548 PE



Peterbilt Y Pipes

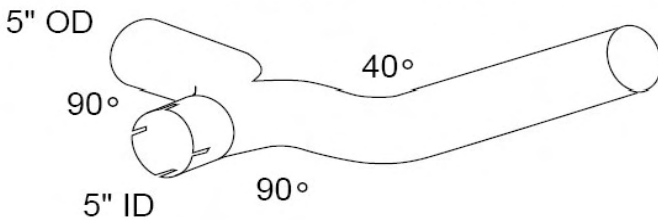
Interchange Number: 14-04055	
Aluminized	Chrome
431-59044Y	401-59044Y

Interchange Number: 14-12308	
Aluminized	Chrome
431-59054Y	401-59054Y



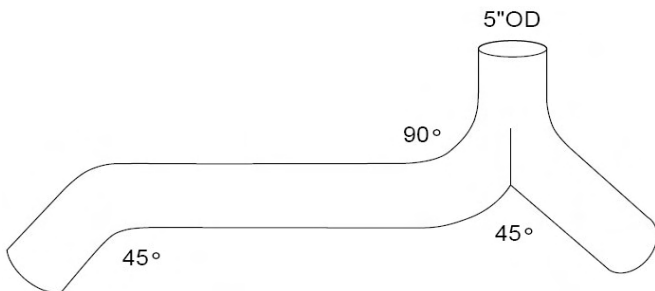
Interchange Number: 14-13055	
Aluminized	Chrome
431-5904026Y	401-5904026Y

24 DEG. ROTATION



Kenworth Y Pipe

Interchange Number: K180-14766	
Aluminized	Chrome
431-589045Y	401-589045Y

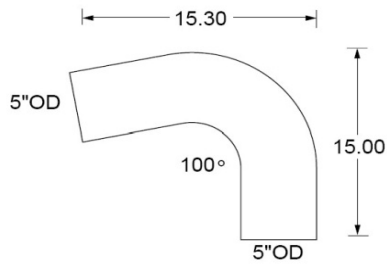


Elbows



Freightliner Elbows

Interchange Number:		FL04-12099
Aluminized	Chrome	
434-5100 PE	404-5100 PE	



Kenworth Elbows

Interchange Number:		
Aluminized	Chrome	
434-45545-6 L or R	404-45545-6 L or R	

Interchange Number:		
Aluminized	Chrome	
434-45545-6 /5 L or R	404-45545-6 /5 L or R	

6" O.D. with 6 to 5 reduction on 45 end.

