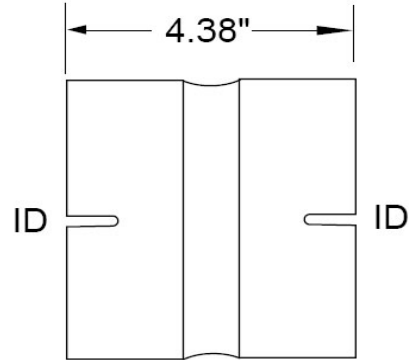


Connectors

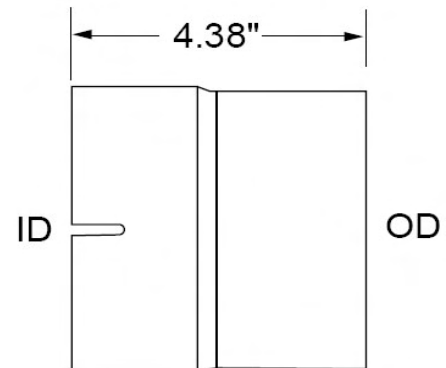
Connectors

I.D.	I.D.	ID
Aluminized		
4313-902		2.03
4313-9225		2.253
4313-925		2.53
4313-903		3.03
4313-935		3.53
4313-904		4.03
4313-945		4.53
4313-905		5.03
4313-906		6.03
4313-907		5.04

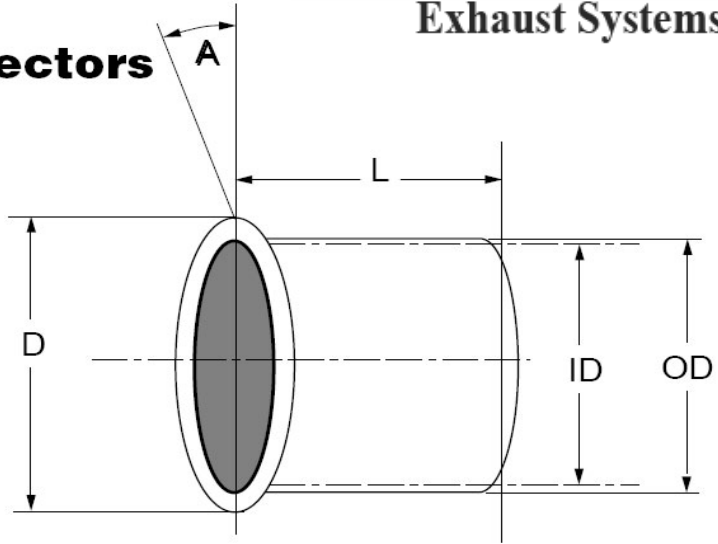


Connectors

I.D.	O.D.	ID	OD
Aluminized			
4314-020		2.03	2.00
4314-0225		2.253	2.25
4314-025		2.53	2.50
4314-030		3.03	3.00
4314-035		3.53	3.50
4314-040		4.03	4.00
4314-045		4.53	4.5
4314-050		5.03	5.00
4314-060		6.03	6.00



Flared Connectors



Aluminized	D	L	A	OD	ID	Mfg. Ref No.
4388-300	3.62	1.50	20 Deg.		3.03	Diesel Manifold
4388-302	3.50	3.50	45 Deg.	3.0		D.D. 53 Series
4388-350	4.25	1.50	20 Deg.		3.53	5108831
4388-352	4.00	3.50	20 Deg.	3.50		CAT 3208-T
4388-353	4.00	5.00	45 Deg.	3.50		Detroit Diesel
4388-400	4.625	1.50	20 Deg.		4.03	5138321 DD-8.2
4388-415	4.780	1.50	20 Deg.		4.03	5138321
4388-413	4.50	5.0	45 Deg.	4.0		250 Cummins
4388-503	5.750	3.00	20 Deg.	5.0		T-50 turbo
4388-504	5.50	5.0	45 Deg.	5.0		Cummins
4388-505	5.50	3.0	22 Deg.	5.0		Cummins
4388-510	5.60	3.50	20 Deg.	5.00	5.03	DD 5140347
4388-512	5.75	12.00	20 Deg.	4.0-5.0		T-50 Turbo