

# Clamps



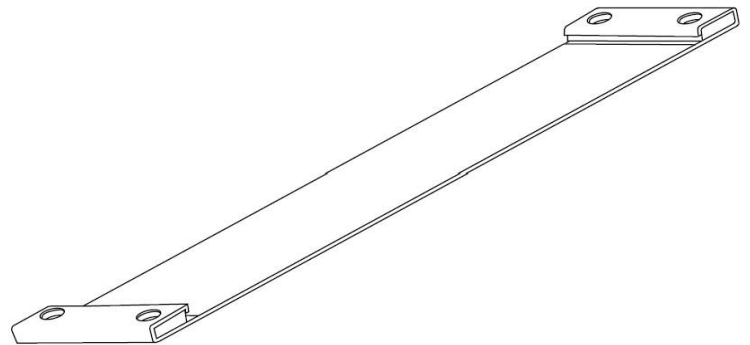
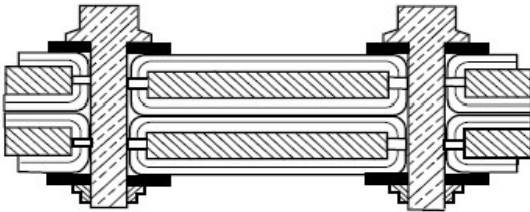
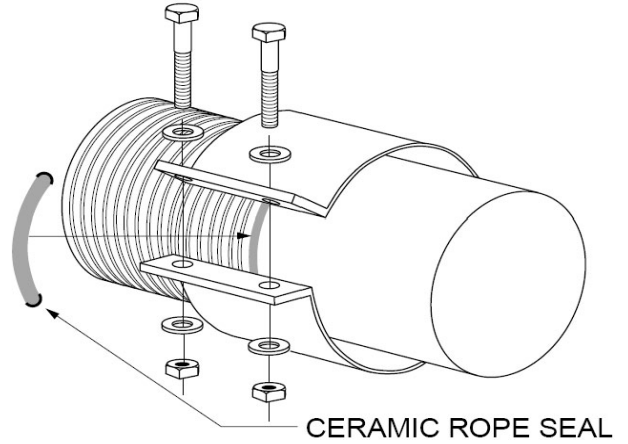
## Sealmaster Clamps

Sealmaster clamps can be used to connect overlapping I.D. flexible metal hose to O.D. metal tubing or to join slotted or unslotted O.D. tubing to I.D. Tubing.

The sealmaster clamp design provides superior strength and durability while insuring a tight well sealed joint

Stainless	Size
66-150	1.50"
66-200	2.00"
66-225	2.25"
66-250	2.50"
66-275	2.75"
66-300	3.00"
66-350	3.50"
66-400	4.00"
66-500	5.00"
66-600	6.00"
66-800	8.00"
66-1000	10.00"

Larger sizes up to 36" dia. are available on a special quote



High strength formed grommets flared into the draw bar provide exceptional strength and durability for drawing the 26 ga. Stainless steel band around the workpiece.

# Clamps

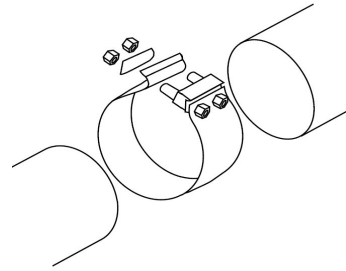
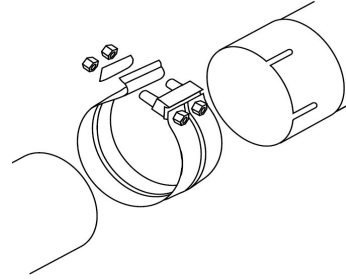


## TorcTite™ Wide Band Clamps

TorcTite preformed clamps provide a strong tightly sealed joint without the need of extra gaskets.

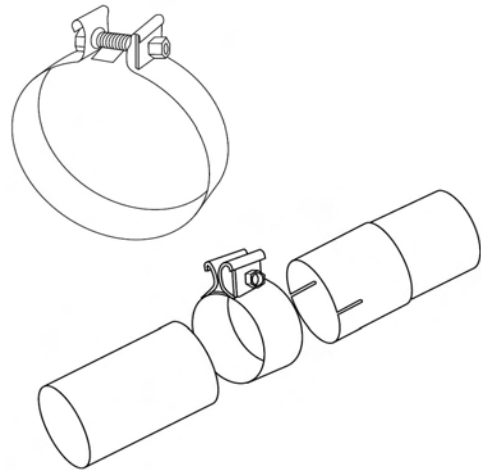
Available for lap joint or butt joint applications.

Aluminized	Stainless	Joint	Size
4367-200	67-200	Lap Joint	2.00"
4367-225	67-225	Lap Joint	2.25"
4367-250	67-250	Lap Joint	2.50"
4367-275	67-275	Lap Joint	2.75"
4367-300	67-300	Lap Joint	3.00"
4367-350	67-350	Lap Joint	3.50"
4367-400	67-400	Lap Joint	4.00"
4367-450	67-450	Lap Joint	4.50"
4367-500	67-500	Lap Joint	5.00"
4367-600	67-600	Lap Joint	6.00"
4368-350	68-350	Butt Joint	3.50"
4368-400	68-400	Butt Joint	4.00"
4368-450	68-450	Butt Joint	4.50"
4368-500	68-500	Butt Joint	5.00"
4368-600	68-600	Butt Joint	6.00"



## AccuSeal Clamps

Aluminized	Stainless	Size
4369-200	69-200	2.00"
4369-225	69-225	2.25"
4369-250	69-250	2.50"
4369-275	69-275	2.75"
4369-300	69-300	3.00"
4369-350	69-350	3.50"
4369-400	69-400	4.00"
4369-450	69-450	4.50"
4369-500	69-500	5.00"
4369-600	69-600	6.00"



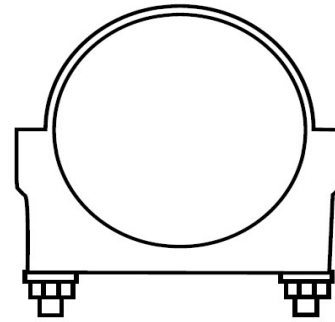
# Clamps



## Heavy Duty Flat U-Bolt Clamps

Especially designed for use with flex hose. Will not cut hose in grooves. Provides a better and tighter seal on all standard installations of elbows, stacks and couplers. .3125" oversize.

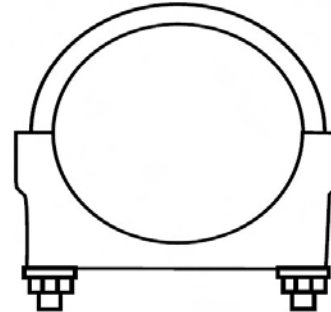
Mill	Chrome	Zinc	Size
6-230	406-230	426-230	3"
6-235	406-235	426-235	3.5"
6-240	406-240	426-240	4"
6-250	406-250	426-250	5"
6-260	406-260	426-260	6"



## Heavy Duty Round U-Bolt Clamps

Accurate, rugged 5/16" oversize for easier installation with exhaust couplers (both straight and flexible) and flexible exhaust tubing. Rolled threads for extra long life, strength and ease of installation.

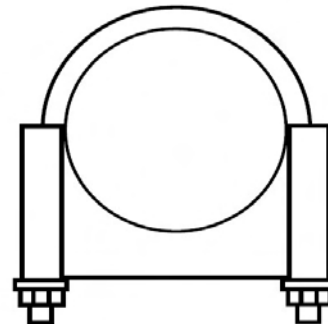
Mill	Zinc	Size
6-3150	426-3150	1.5"
6-3175	426-3175	1.75"
6-320	426-320	2"
6-3225	426-3225	2.25"
6-325	426-325	2.5"
6-3275	426-3275	2.75"
6-330	426-330	3"
6-335	426-335	3.5"
6-340	426-340	4"
6-350	426-350	5"



## Heavy Duty Guillotine Saddle Clamps

Precision formed metal clamps, .375" U-bolt.

Mill	Chrome	Zinc	Size
6-530	406-530	426-530	3"
6-535	406-535	426-535	3.5"
6-540	406-540	426-540	4"
6-550	406-550	426-550	5"

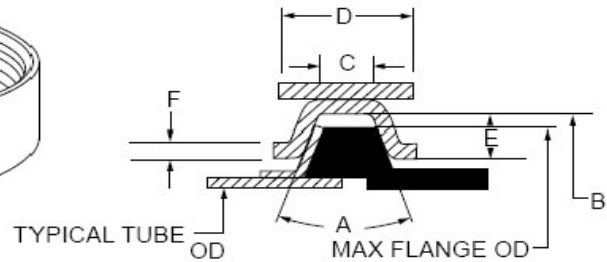
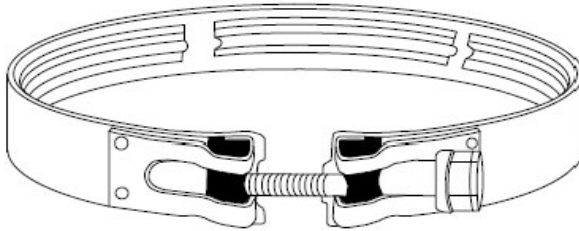


# Clamps



## V-Band Clamps

- Stainless Steel, V-band type for use with Lipped Flanges.
- Special styles available on request.
- 50 clamp minimum.



Tube Dia.	Part Number	Application	A	B	C	D	E	F	Max Flange OD
2.50"	88-375	Ford 370 & 429, E5HZ-5A231	40	3.88	.400	1.00	.355	.125	3.75
2.50"	88-287	DD 8.2T-8920206	40	2.88	.207	.75	.28	.050	2.75
2.75"	88 313	Cummins B	40	3.22	.262	.85	.14	.050	3.13
3.0"	88-365	Ford D9HT-51210-DA	40	3.87	.425	.88	.31	.075	3.65
3.0"	88-306	DD 6V71	40	3.82	.207	.88	.28	.080	3.70
3.0"	88-316	Cummins V903	40	3.88	.400	.88	.28	.050	3.76
3.12"	88-384	O.E. Muffler	40	3.96	.207	.88	.28	.080	3.84
3.50"	88 403	Cummins C	40	4.12	.262	.67	.14	.050	4.03
3.50"	88 407	CAT 3208T	40	4.19	.400	.88	.28	.050	4.07
3.50"	88-419	IH DT466 & CONNECTOR ENDS	40	4.31	.207	.88	.28	.080	4.19
3.50"	88-356	DD8V71	40	4.50	.207	.88	.28	.080	4.38
3.50"	88-414	Cummins VT555	40	4.25	.400	.88	.28	.050	4.14
3.50"	88-326	DD 8.2L, FORD EOHT5828I-BA	40	4.00	.210	.88	.18	.075	3.78
4.0"	88-401	DD 8.2N	40	4.06	.162	.88	.29	.075	4.61
4.0"	88-406	12V71-6.71	40	4.49	.207	.75	.28	.080	4.36
4.0"	88-463	CAT 3176T Cummins L10	40	4.75	.400	1.00	.28	.050	4.63
4.0"	88-462	DD8.2T GM 2295978	40	4.75	.158	.88	.31	.075	4.62
4.0"	88-482	Mack 11ME29	40	4.94	.181	.75	.28	.062	4.82
4.0"	88-441	Switzer 4LDE, FLE 4LH, 4LS	40	4.50	.262	.75	.14	.050	4.41
4.0"	88-469	Connector Ends	40	4.81	.207	.88	.28	.080	4.63
4.0"	88-479	DD 6-71	40	4.91	.293	1.13	.30	.090	4.79
4.0"	88-449	Mack 48RU2341	40	4.61	.156	.75	.22	.050	4.49
4.0"	88-416	Airesearch 4LF-TEO699	40	4.30	.188	.75	.23	.050	4.38
4.87"	88-516	DD8V71T	40	5.25	.262	.75	.14	.050	5.16
5.0"	88-456	Airesearch T-1899-THO8A64	40	5.43	.262	.75	.14	.050	5.15
5.0"	88-506	Cummins T50-VT50	40	5.88	.400	.88	.28	.050	5.73
5.0"	88-569	Connector Ends	40	5.81	.207	.88	.28	.080	5.69
5.0"	88-575	DD 8V71 Special Manifold	40	5.87	.365	.88	.30	.050	5.75
5.0"	88-511	DD 6V71, 8V71, 12V71	40	5.86	.293	1.125	.296	.080	5.795